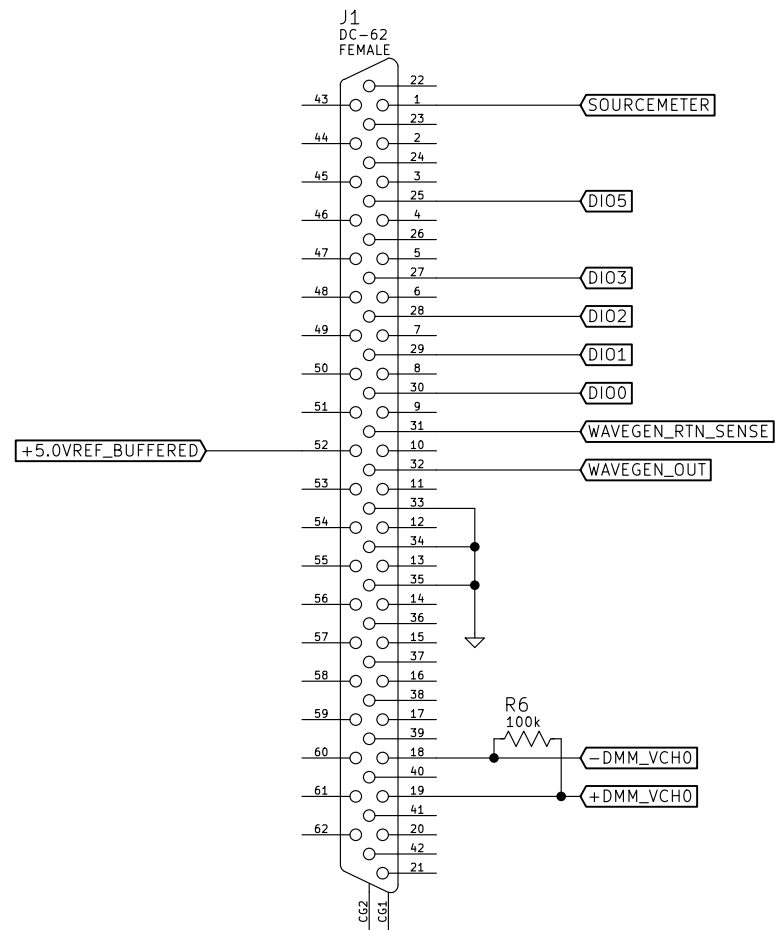
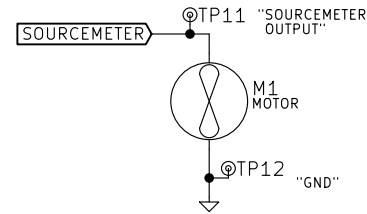


ANALOG DECK DEMO BOARD

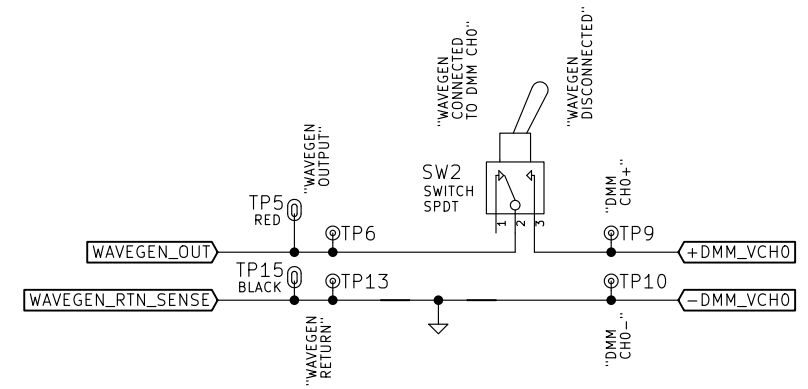
CONNECTOR FROM ANALOG DECK



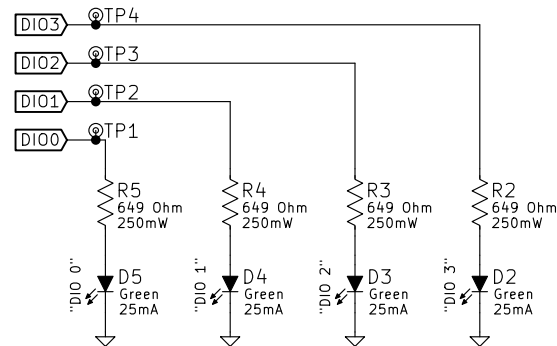
SOURCEMETER MOTOR



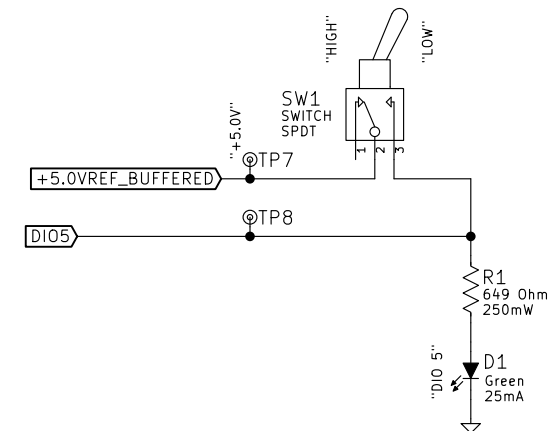
WAVEGEN AND VOLTMETER (DMM)



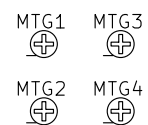
DIGITAL OUTPUTS



DIGITAL INPUT



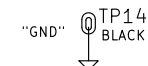
BOARD MOUNTS



MOTOR MOUNTS



GND TESTPOINT



Proprietary Information Property Subinital LLC
 All rights reserved
 Not authorized for reproduction without express written consent.
SUBINITIAL LLC
 Sheet: /



Title: Analog Deck Demo Board PWA Schematic

Size: B Date: 2017-03-29

Revision: A2
 Sheet 1 of 1